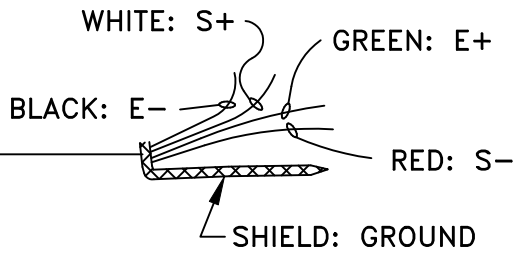


10 FT. 4-COND.  
AWG 30 WITH  
OVERALL SHIELD  
& JACKET

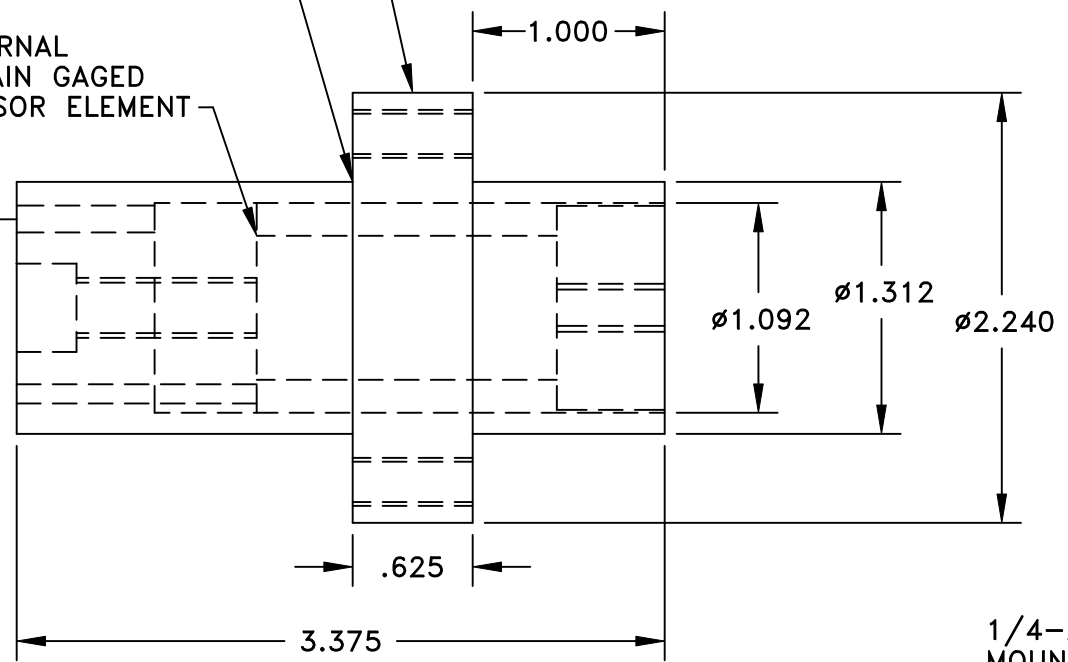


TAPPED HOLE IN END OF THE  
SENSOR FOR INSTALLATION OF  
PULLEY, ROLLER, SHEAVE, ETC.  
1/4-20 X .50DP STANDARD, OTHER  
SIZES MAY BE SPECIFIED

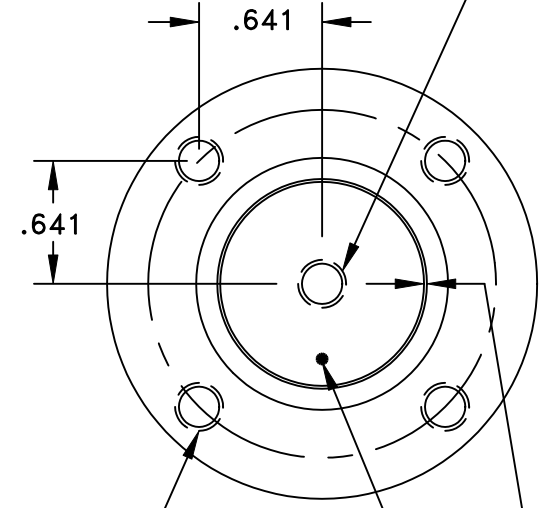
BLACK HARD ANODIZED  
SENSOR HOUSING  
WITH INTEGRAL  
OVERLOAD PROTECTION

INTERNAL  
STRAIN GAGED  
SENSOR ELEMENT

MOUNTING  
FLANGE



DIRECTION OF FORCE



DIRECTION OF FORCE  
INDICATOR

NOTES:

- DESIGNED FOR EASY MOUNTING TO THE MACHINE FRAME BY INSERTING THROUGH A 1-3/8" DIA. HOLE.

1/4-20 TAPPED  
MOUNTING HOLE  
4 HOLES  
EQUALLY SPACED  
REFERENCED TO  
FORCE INDICATOR

CLEARANCE BETWEEN  
SENSOR ELEMENT AND  
HOUSING MUST BE KEPT  
FREE. SENSOR ELEMENT  
MUST ONLY CONTACT THE  
ROLLER MOUNTING HARDWARE.

**RANGES AVAILABLE: 0-12 LBS TO 0- 25 LBS  
WRAP ANGLE DEPENDENT**

**TMI** *Tension Measurement, inc*  
P.O. BOX 740755 ARVADA, CO. 80006 USA  
TEL. (303) 465-1011 • FAX (303) 466-9761

**MIDDLE CANTILEVER FLANGE MOUNT  
TENSION SENSOR**  
PART NO: CF2M SERIES      MATERIAL: ALUMINUM

TOLERANCES UNLESS OTHERWISE SPECIFIED:  
U.S.O.  
1 PLC. DEC. ±.030  
2 PLC. DEC. ± .015  
3 PLC. DEC. ± .005  
ANGULAR ± 30"

SCALE: 1 = 1  
DATE: 8-09  
BY: TMI