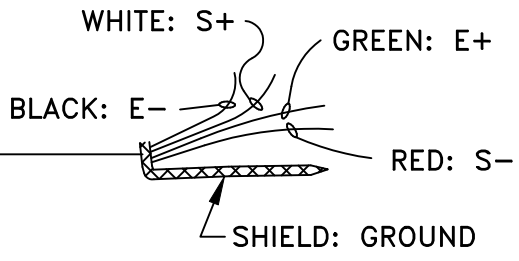


10 FT. 4-COND.
AWG 30 WITH
OVERALL SHIELD
& JACKET

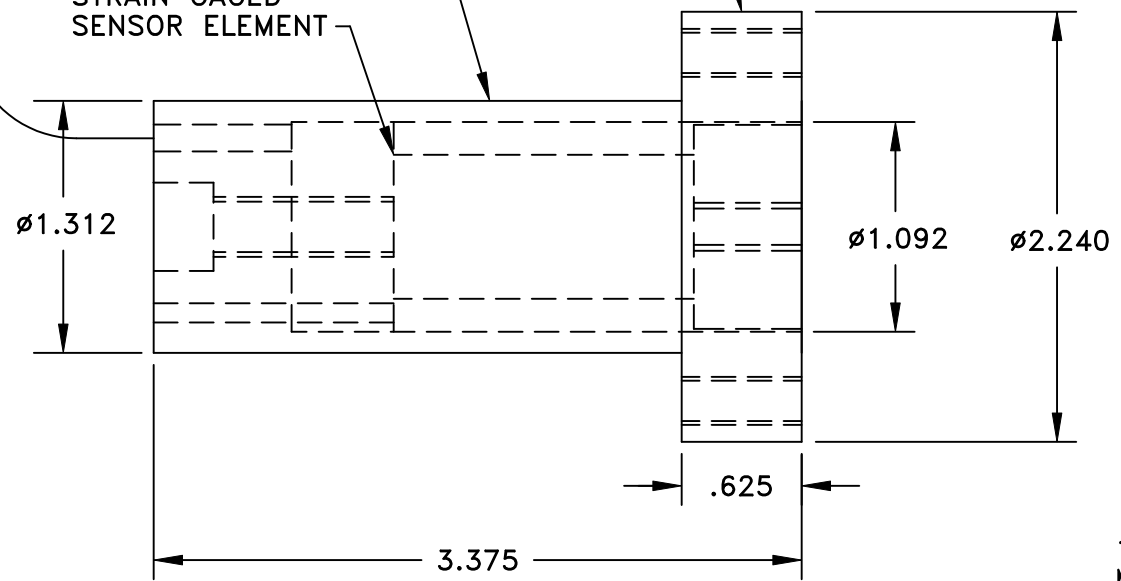


TAPPED HOLE IN END OF THE
SENSOR FOR INSTALLATION OF
PULLEY, ROLLER, SHEAVE, ETC.
1/4-20 X .50DP STANDARD, OTHER
SIZES MAY BE SPECIFIED

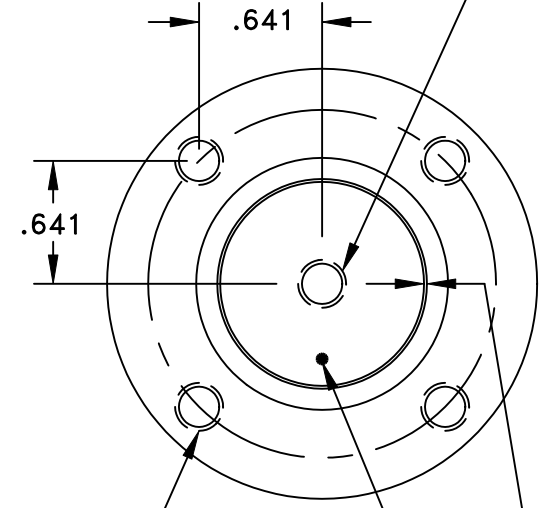
BLACK HARD ANODIZED
SENSOR HOUSING
WITH INTEGRAL
OVERLOAD PROTECTION

MOUNTING
FLANGE

INTERNAL
STRAIN GAGED
SENSOR ELEMENT



DIRECTION OF FORCE



1/4-20 TAPPED
MOUNTING HOLE
4 HOLES
EQUALLY SPACED
REFERENCED TO
FORCE INDICATOR

DIRECTION
OF FORCE
INDICATOR

CLEARANCE BETWEEN
SENSOR ELEMENT AND
HOUSING MUST BE KEPT
FREE. SENSOR ELEMENT
MUST ONLY CONTACT THE
ROLLER MOUNTING HARDWARE.

NOTES:

- DESIGNED FOR EASY MOUNTING TO THE MACHINE FRAME BY INSERTING THROUGH A 1-3/8" DIA. HOLE.

**RANGES AVAILABLE: 0-12 LBS TO 0- 25 LBS
WRAP ANGLE DEPENDENT**

TMI *Tension Measurement, inc*
P.O. BOX 740755 ARVADA, CO. 80006 USA
TEL. (303) 465-1011 • FAX (303) 466-9761

**FRONT CANTILEVER FLANGE MOUNT
TENSION SENSOR**

PART NO: CF2F SERIES	MATERIAL: ALUMINUM
-------------------------	-----------------------

TOLERANCES UNLESS
OTHERWISE SPECIFIED:
U.S.O.
1 PLC. DEC. ±.030
2 PLC. DEC. ± .015
3 PLC. DEC. ± .005
ANGULAR ± 30"

SCALE: 1 = 1
DATE: 8-09
BY: TMI