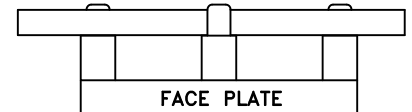
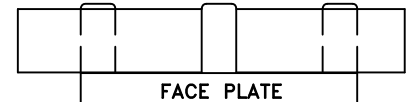
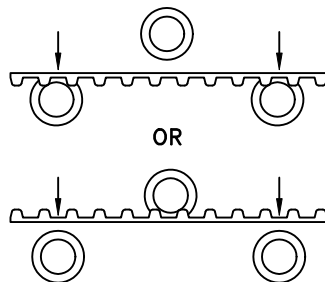
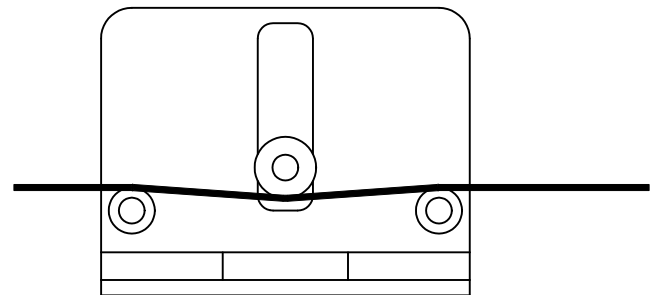
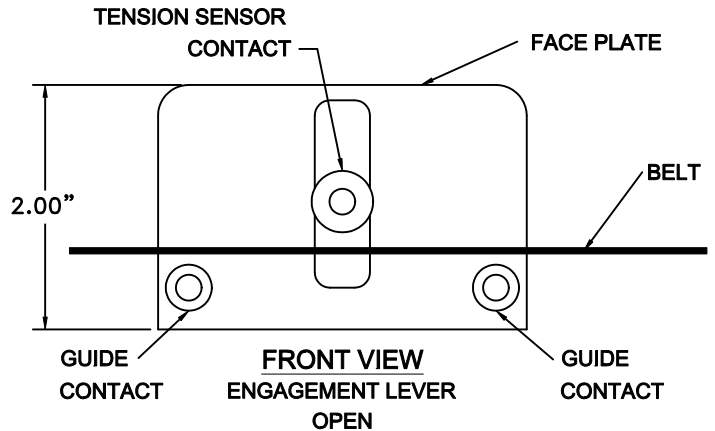
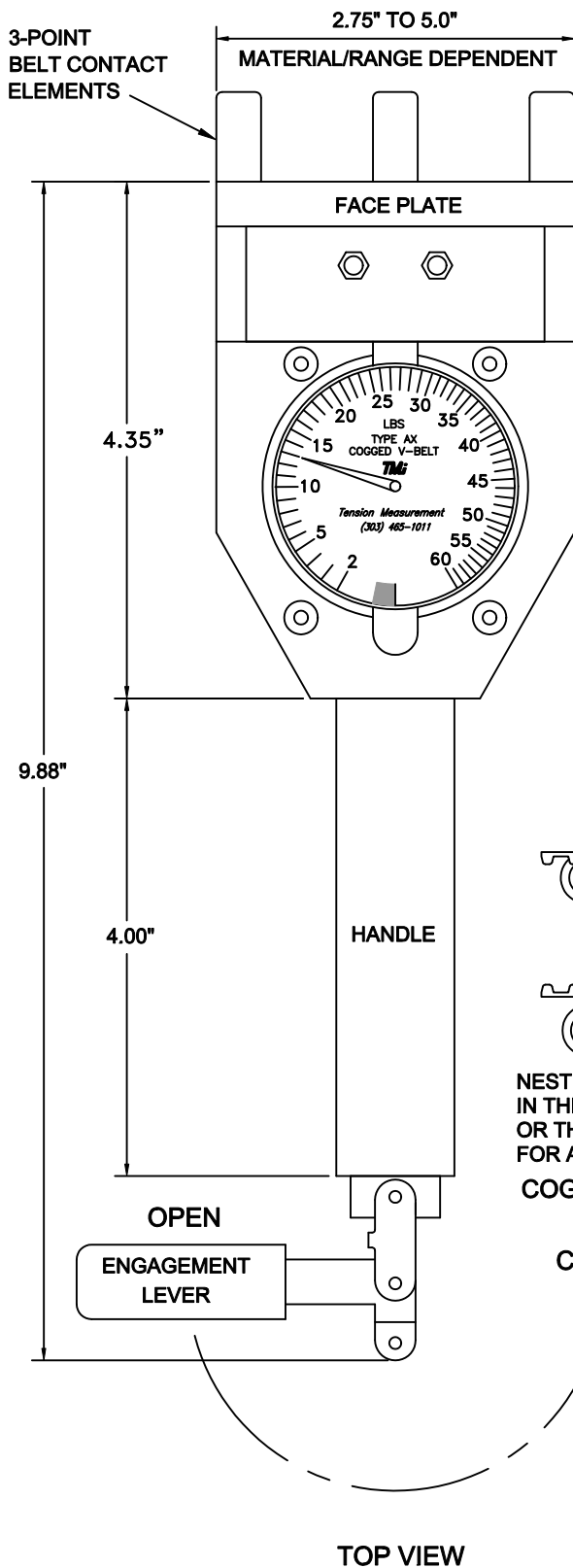


BELT TENSION GAGE



BELT PLACEMENT

1. BELT TENSION GAGES ARE CALIBRATED FOR A SPECIFIC BELT TYPE. THE BELT NUMBER OR TYPE IS PRINTED ON THE GAGES DIAL FACE. DAMAGE TO THE GAGE CAN OCCUR IF USED ON THICKER BELTS WITH HIGHER TENSION.
2. SEPARATE THE CONTACT ELEMENTS ON THE FACE PLATE BY PLACING THE ENGAGEMENT LEVER IN THE OPEN POSITION.
3. PLACE THE BELT BETWEEN THE CONTACTS AS SHOWN AND ROTATE THE ENGAGEMENT LEVER 180° TO THE CLOSED POSITION. THIS WILL BRING THE 2 LOWER OUTSIDE CONTACT ELEMENTS UP TOWARD THE CENTER TENSION SENSOR. THE BELT TENSION WILL BE INDICATED ON THE DIAL. STOP THE ENGAGEMENT LEVER IF POINTER EXCEEDS ONE REVOLUTION OF THE DIAL. TENSION IS OUT OF RANGE FOR THIS GAGE.

TMS Tension Measurement, inc

P.O. BOX 740755 ARVADA, CO. 80006 USA

TEL. (303) 465-1011 • FAX (303) 466-9761 • Tension-Measurement.com

BTG OPERATING INSTRUCTIONS

FIGURE

NO: BTG-OP01

DATE

3-02