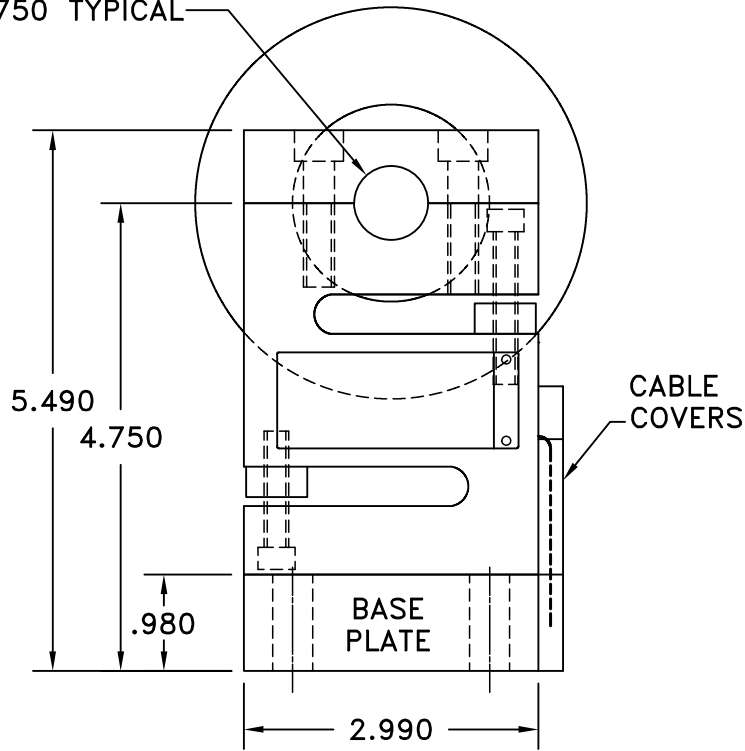


SHAFT BORE DIAMETER
FROM .500" TO .875"
.750 TYPICAL



BEARING, 2 PLCS
ROLLER SHAFT CAP
PROVIDES EASY ROLLER
REMOVAL FROM SENSOR

LOAD LIMIT
STOPS

STRAIN GAGED
TENSION SENSOR
2 PLACES

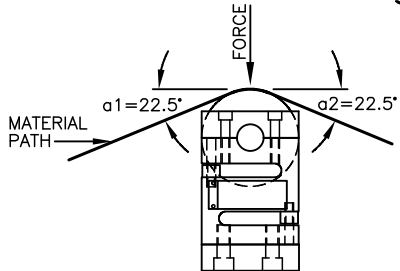
LENGTHS FROM 2" TO 12"

DIA. FROM 2.5" TO 4.0"

DIRECTION OF FORCE
TOWARD BASE PLATE

BASE LENGTH =
ROLLER LENGTH + 3.0"

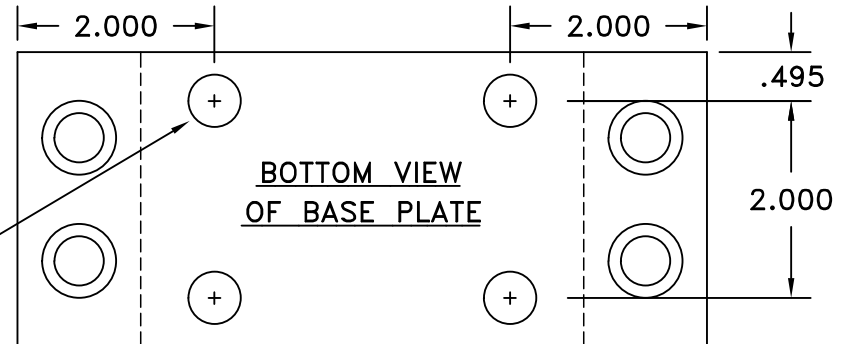
SENSOR CABLES TO INTERFACE
WITH SIGNAL CONDITIONER/INDICATOR
SEE WIRING DRAWING WPM-MS31-WD



SENSOR WRAP ANGLE

ANGLE $\alpha 1 + \alpha 2 =$ WRAP ANGLE
FROM 40° TO 60° , MUST SPECIFY

BASE MOUNTING HOLES
.531 ϕ THRU
CLEARANCE FOR
1/2" BOLTS 4 PLACES



RANGES AVAILABLE: 0-300 LBS, 0-400LBS AND 0-500 LBS
WRAP ANGLE DEPENDENT

TMI Tension Measurement, inc

Colorado, USA • Tension-Measurement.com
TEL. (303) 465-1011 • FAX (303) 466-9761

**WPM500 SERIES
WEB TENSION SENSOR**

PART NO:
WPM500-SERIES

MATERIAL:
ALUMINUM

TOLERANCES UNLESS
OTHERWISE SPECIFIED:
U.S.O.
1 PLC. DEC. $\pm .030$
2 PLC. DEC. $\pm .015$
3 PLC. DEC. $\pm .005$
ANGULAR $\pm 30^\circ$

SCALE: 1 = 2

DATE: 7-2001

BY: TMI