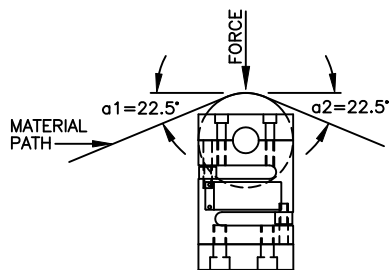
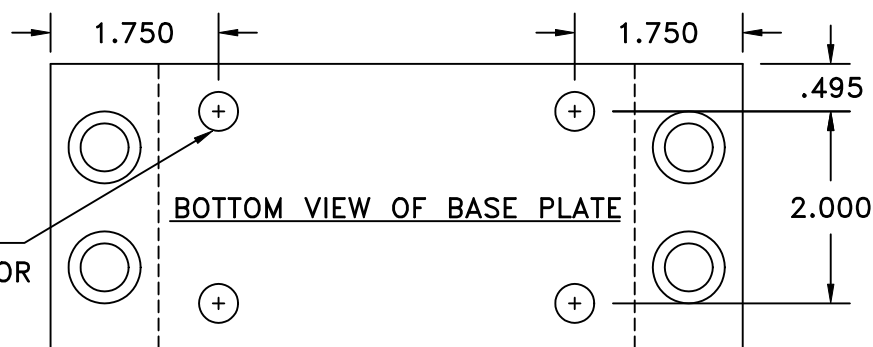


SENSOR CABLES TO INTERFACE  
WITH SIGNAL CONDITIONER/INDICATOR  
SEE WIRING DRAWING FOR DETAILS



SENSOR WRAP ANGLE

ANGLE  $\alpha 1 + \alpha 2 =$  WRAP ANGLE  
FROM  $40^\circ$  TO  $180^\circ$ , MUST SPECIFY



RANGES AVAILABLE: 0-150 LBS, 0-200LBS AND 0-250 LBS  
WRAP ANGLE DEPENDENT

**TMI** *Tension Measurement, inc*

Colorado, USA • [Tension-Measurement.com](http://Tension-Measurement.com)

TEL. (303) 465-1011 • FAX (303) 466-9761

**WPM250 SERIES  
WEB TENSION SENSOR**

PART NO:  
WPM250-SERIES

MATERIAL:  
ALUMINUM

TOLERANCES UNLESS  
OTHERWISE SPECIFIED:  
U.S.O.  
1 PLC. DEC.  $\pm .030$   
2 PLC. DEC.  $\pm .015$   
3 PLC. DEC.  $\pm .005$   
ANGULAR  $\pm 30^\circ$

SCALE: 1 = 2

DATE: 7-2001

BY: TMI