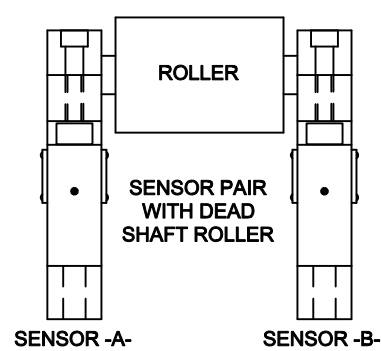
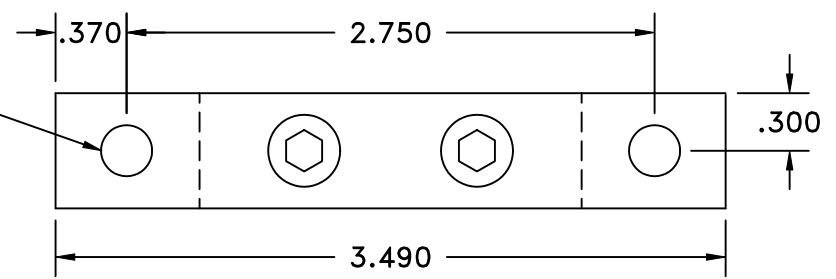


CABLE TO INTERFACE WITH SIGNAL CONDITIONER/INDICATOR SEE WIRING DIAGRAM FOR DETAILS

PEDESTAL MOUNTING BASE



.266" DIAMETER CLEARANCE HOLE FOR 1/4 BOLT, 2 PLACES IN PEDESTAL BASE



RANGES AVAILABLE: 0-5 LBS TO 0-10 LBS
WRAP ANGLE DEPENDENT

TMI Tension Measurement, inc
Colorado, USA • Tension-Measurement.com
TEL (303) 465-1011 • FAX (303) 466-9761

**WPED10 SERIES
WEB TENSION SENSOR**
PART NO: WPED10-SERIES
MATERIAL: ALUMINUM

TOLERANCES UNLESS OTHERWISE SPECIFIED:
U.S.O.
1 PLC. DEC. ±.030
2 PLC. DEC. ±.015
3 PLC. DEC. ±.005
ANGULAR ± 30"

SCALE: 1 = 1
DATE: 7-2001
BY: TMI