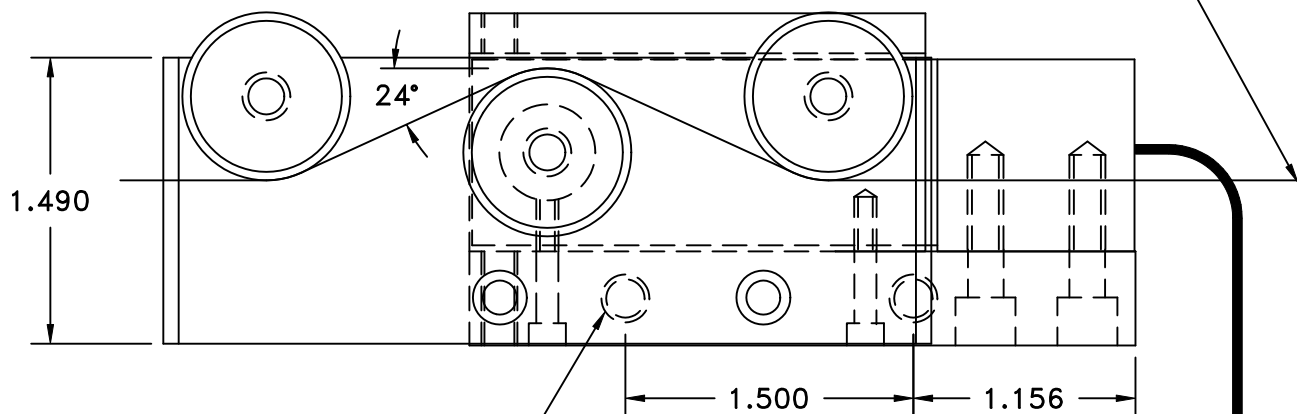
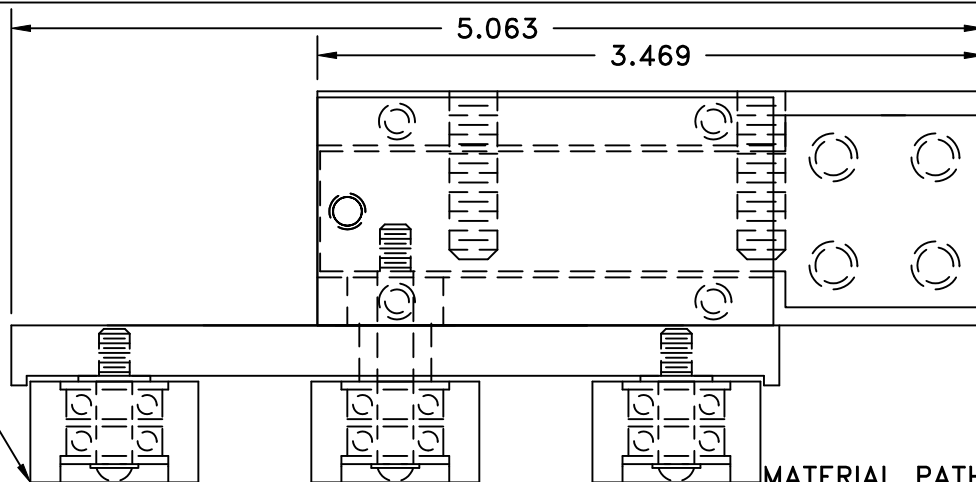
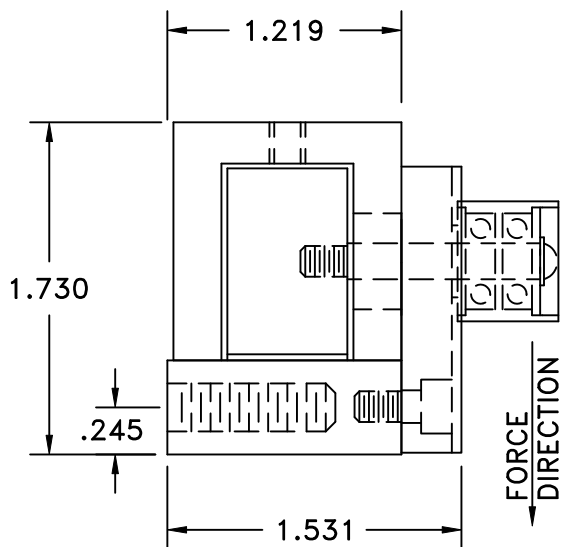
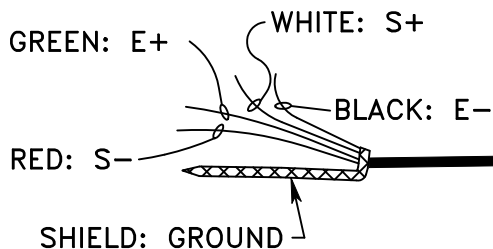


VARIETY OF ROLLERS AVAILABLE. U-/V- GROOVE AND WEB/FILM/TAPE CYLINDRICAL TO .875" DIA.



1/4-20 TAPPED HOLES FOR SENSOR MOUNTING  
2 PLACES, FAR SIDE

SENSOR MOUNTING BASE, FACEPLATE AND COVER BLACK HARD ANODIZED ALUMINUM.



10FT. 4 COND. 30 AWG SHIELDED PTFE INSULATED CABLE TO INTERFACE WITH SIGNAL CONDITIONER/INDICATOR

**TENSION RANGES FROM 1 TO 2000 GRAMS**

**TMI Tension Measurement, inc**  
Colorado, USA • Tension-Measurement.com  
TEL. (303) 465-1011 • FAX (303) 466-9761

**MPSX SERIES TENSION SENSOR WITH 4" WIDE FACEPLATE**

PART NO:  
MPSX4-SERIES

MATERIAL:  
ALUMINUM

TOLERANCES UNLESS OTHERWISE SPECIFIED:  
U.S.O.  
1 PLC. DEC. ±.030  
2 PLC. DEC. ±.015  
3 PLC. DEC. ±.005  
ANGULAR ± 30"

SCALE: 1 = 1  
DATE: 12-1998  
BY: TMI