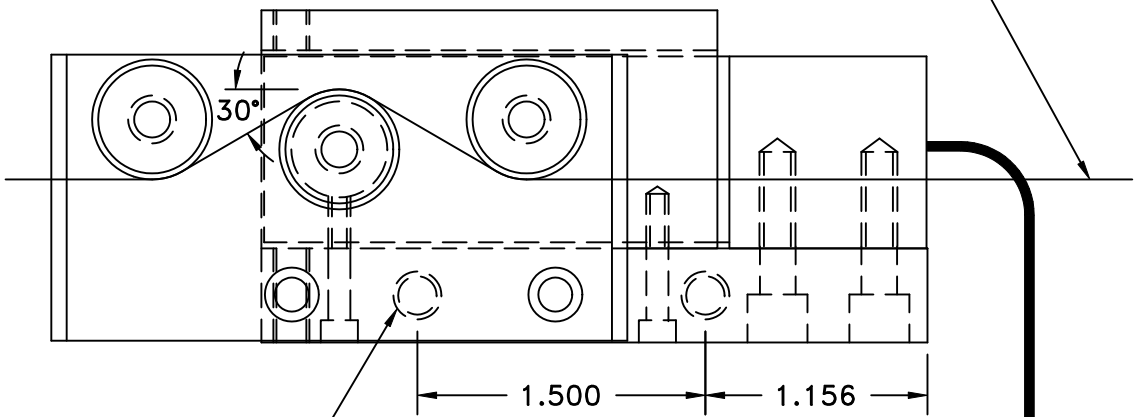
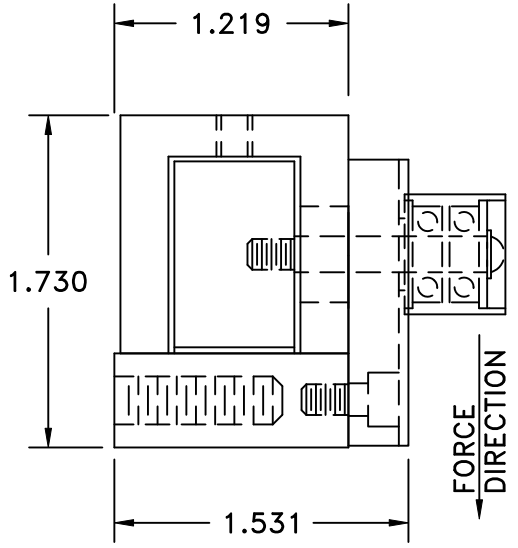
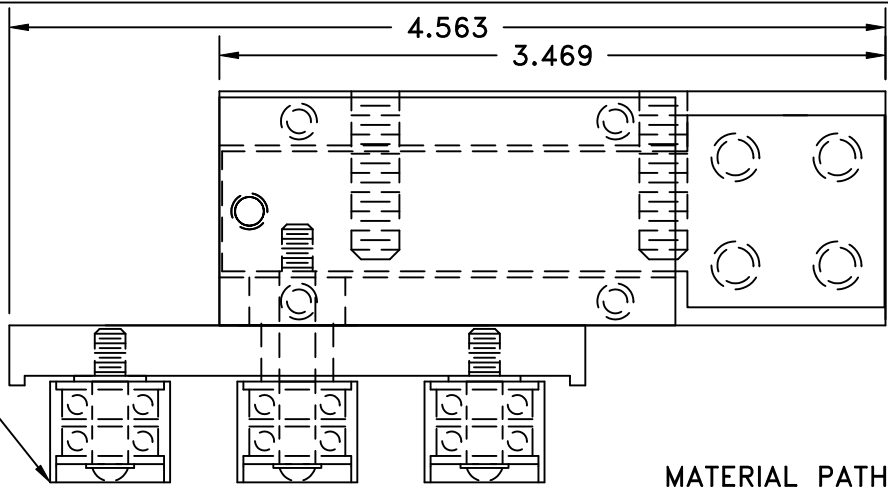
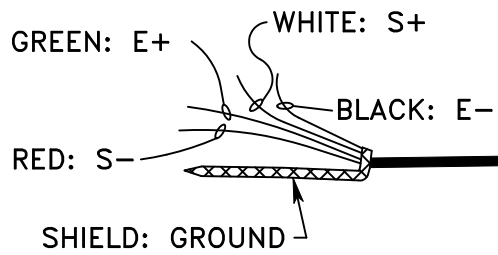


VARIETY OF ROLLERS AVAILABLE. U-/V- GROOVE AND WEB/FILM/TAPE CYLINDRICAL TO .750" DIA.



1/4-20 TAPPED HOLES FOR SENSOR MOUNTING 2 PLACES, FAR SIDE

SENSOR MOUNTING BASE, FACEPLATE AND COVER BLACK HARD ANODIZED ALUMINUM.



10FT. 4 COND. 30 AWG SHIELDED PTFE INSULATED CABLE TO INTERFACE WITH SIGNAL CONDITIONER/INDICATOR

TENSION RANGES FROM 1 TO 2000 GRAMS

TMI Tension Measurement, inc
 Colorado, USA • Tension-Measurement.com
 TEL. (303) 465-1011 • FAX (303) 466-9761

MPSX SERIES TENSION SENSOR WITH 3" WIDE FACEPLATE
 PART NO: MPSX3-SERIES MATERIAL: ALUMINUM

TOLERANCES UNLESS OTHERWISE SPECIFIED:
 U.S.O.
 1 PLC. DEC. ±.030
 2 PLC. DEC. ±.015
 3 PLC. DEC. ±.005
 ANGULAR ± 30"

SCALE: 1 = 1
 DATE: 12-1998
 BY: TMI