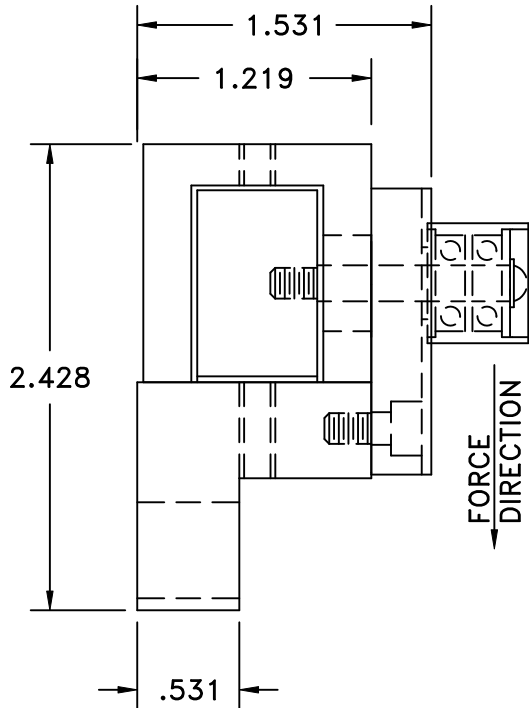
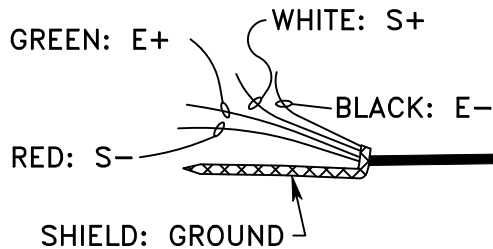
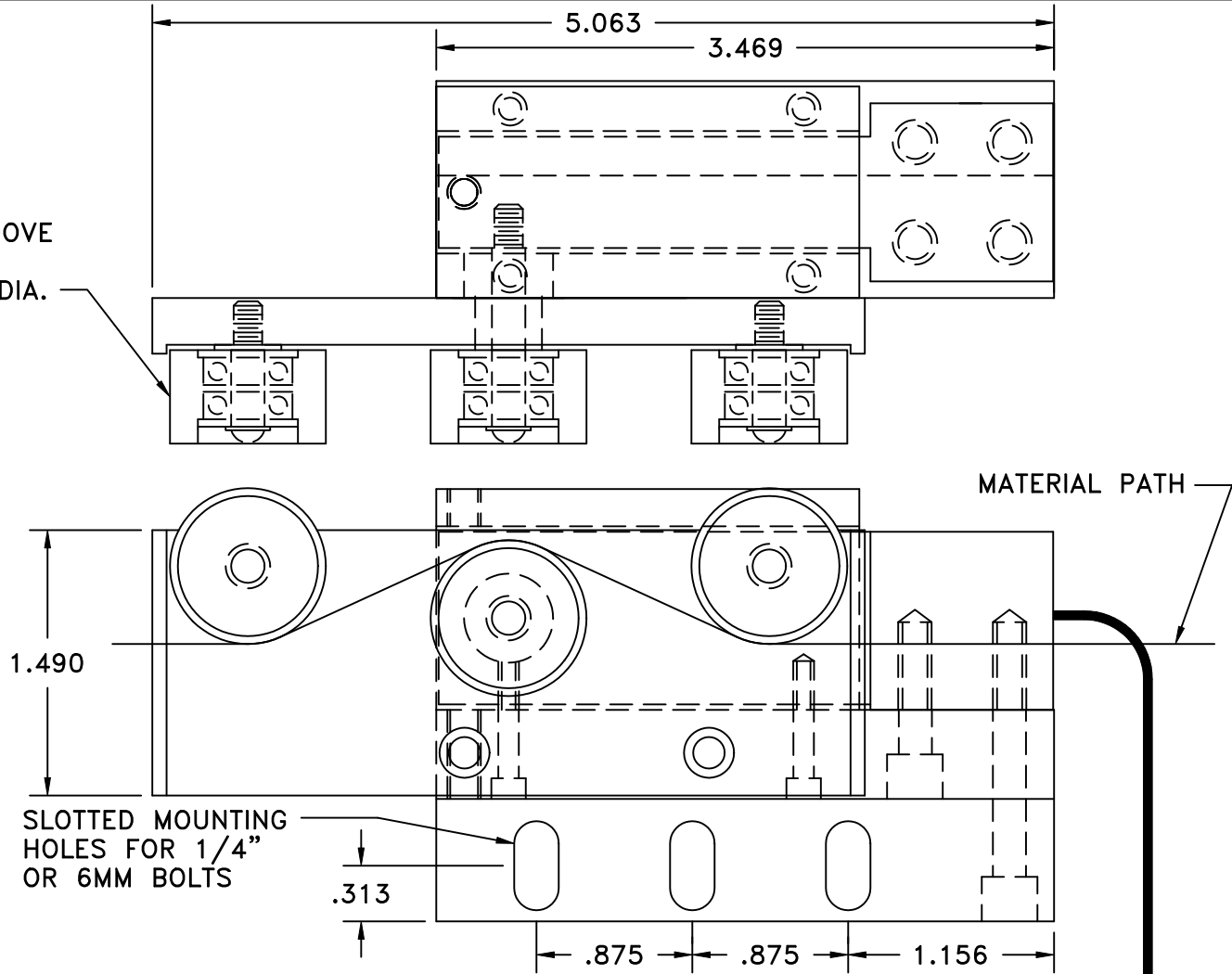


VARIETY OF ROLLERS AVAILABLE. U-/V- GROOVE AND WEB/FILM/TAPE CYLINDRICAL TO .875" DIA.



SENSOR MOUNTING BASE, FACEPLATE AND COVER BLACK HARD ANODIZED ALUMINUM.



10FT. 4 COND. 30 AWG SHIELDED PTFE INSULATED CABLE TO INTERFACE WITH SIGNAL CONDITIONER/INDICATOR

TENSION RANGES FROM 1 TO 2000 GRAMS

TMI Tension Measurement, inc
 Colorado, USA • Tension-Measurement.com
 TEL. (303) 465-1011 • FAX (303) 466-9761

MPS SERIES TENSION SENSOR WITH 4" WIDE FACEPLATE

PART NO:
MPS4-SERIES

MATERIAL:
ALUMINUM

TOLERANCES UNLESS OTHERWISE SPECIFIED:
 U.S.O.
 1 PLC. DEC. ±.030
 2 PLC. DEC. ±.015
 3 PLC. DEC. ±.005
 ANGULAR ± 30"

SCALE: 1 = 1
 DATE: 12-1998
 BY: TMI