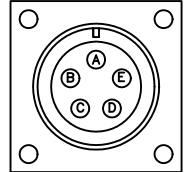


MS3102A14S-5
5 PIN CONNECTOR

MS3102A14S-5
CONNECTOR



STRAIN GAGED
TENSION SENSOR

CLEARANCE HOLE
FOR 1/2"
MOUNTING BOLT
4 PLACES
IN BASE PLATE

COVER

.975

VARIETY OF ROLLERS
AVAILABLE.

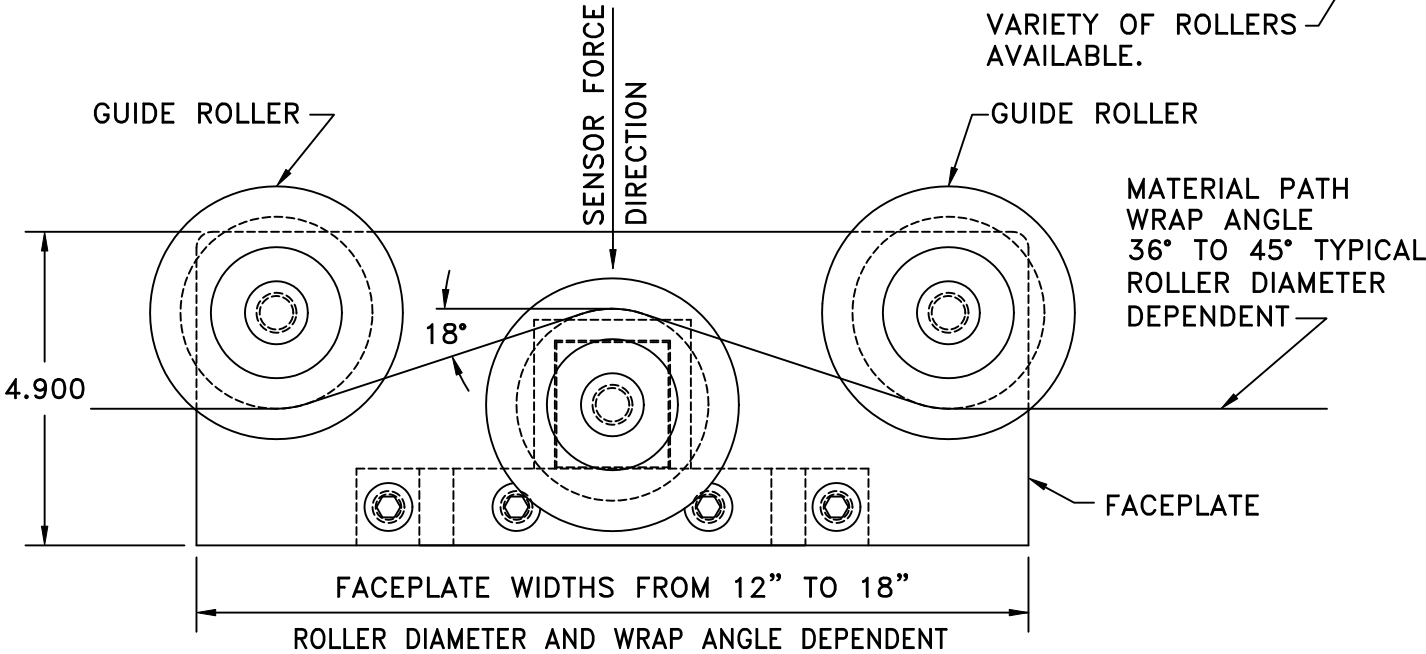
WIRING CODE

CONNECTOR PIN	WIRE COLOR	FUNCTION
A	GREEN	EXCITATION +
B	WHITE	SIGNAL +
C	BLACK	EXCITATION -
D	RED	SIGNAL -
E	SHIELD*	GROUND

*SHIELD FLOATING AT
SENSOR. TERMINATE AT
SIGNAL CONDITIONER/DISPLAY.

MATING CONNECTOR AND
10 FT. OF 4-COND. AWG 20
WITH OVERALL SHIELD AND
JACKET INCLUDED.

NOTE:
FACEPLATE, BASE AND COVER
BLACK HARD ANODIZED ALUMINUM



RANGES AVAILABLE: 0-300 LBS TO 0-500 LBS

TMI Tension Measurement, Inc
Colorado, USA • Tension-Measurement.com
TEL (303) 465-1011 • FAX (303) 466-9761

**MPHBX5 SERIES PLATFORM MOUNT
3 ROLLER TENSION SENSOR**

PART NO:
MPHBX5-FP-SERIES

MATERIAL:
ALUMINUM

TOLERANCES UNLESS
OTHERWISE SPECIFIED:
U.S.O.
1 PLC. DEC. ±.030
2 PLC. DEC. ±.015
3 PLC. DEC. ±.005
ANGULAR ± 30°

SCALE: 1 = 3
DATE: 3-2004
BY: TMI