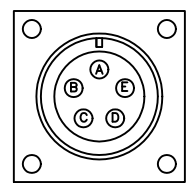


MS3102A14S-5 CONNECTOR

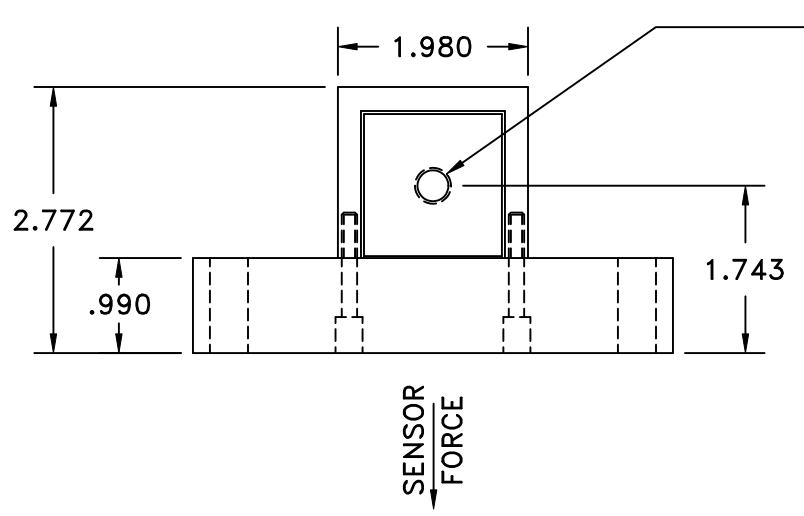


WIRING CODE

CONNECTOR PIN	WIRE COLOR	FUNCTION
A	GREEN	EXCITATION +
B	WHITE	SIGNAL +
C	BLACK	EXCITATION -
D	RED	SIGNAL -
E	SHIELD*	GROUND

*SHIELD FLOATING AT SENSOR. TERMINATE AT SIGNAL CONDITIONER/DISPLAY.

MATING CONNECTOR AND 10 FT. OF 4-COND. AWG 20 WITH OVERALL SHIELD AND JACKET INCLUDED.



THREADED HOLE IN SENSOR END FOR ROLLER ATTACHMENT. 3/8-16 OR 1/2-13 TYPICAL. METRIC SIZES MAY BE SPECIFIED. VARIETY OF ROLLERS AVAILABLE. U-/V- GROOVE AND WEB/TAPE/FILM CYLINDRICAL ROLLER.

NOTE:
OPTIONAL 3-ROLLER FACEPLATE AVAILABLE.

TENSION RANGES TO 300 LBS
WRAP ANGLE DEPENDENT