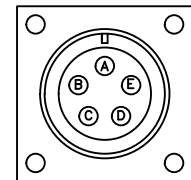


MS3102A14S-5
CONNECTOR

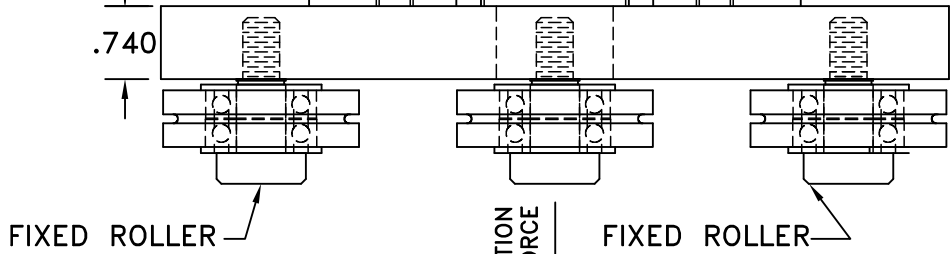


WIRING CODE

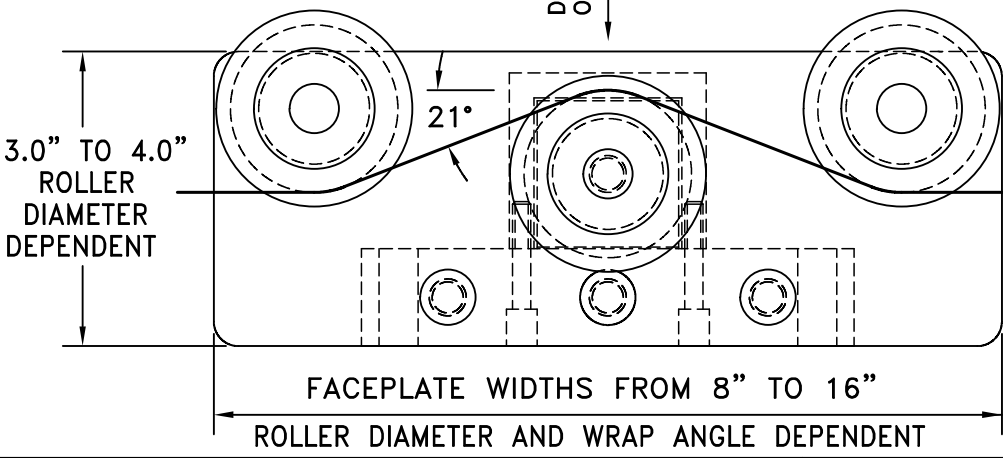
CONNECTOR PIN	WIRE COLOR	FUNCTION
A	GREEN	EXCITATION +
B	WHITE	SIGNAL +
C	BLACK	EXCITATION -
D	RED	SIGNAL -
E	SHIELD*	GROUND

*SHIELD FLOATING AT SENSOR. TERMINATE AT SIGNAL CONDITIONER/DISPLAY.

MATING CONNECTOR AND 10 FT. OF 4-COND. AWG 20 WITH OVERALL SHIELD AND JACKET INCLUDED.



VARIETY OF ROLLERS AVAILABLE. U-/V- GROOVE AND WEB/FILM/TAPE CYLINDRICAL TO 3.500" DIA.



MATERIAL PATH WRAP ANGLE 36° TO 45° TYPICAL ROLLER DIAMETER DEPENDENT

RANGES AVAILABLE: 0-100 LBS TO 0-300 LBS

TMI Tension Measurement, Inc
 Colorado, USA • Tension-Measurement.com
 TEL. (303) 465-1011 • FAX (303) 466-9761

**MPHBX3 SERIES PLATFORM MOUNT
3 ROLLER TENSION SENSOR**

PART NO: MPHBX3-FP-SERIES MATERIAL: ALUMINUM

TOLERANCES UNLESS OTHERWISE SPECIFIED:
 U.S.O.
 1 PLC. DEC. ±.030
 2 PLC. DEC. ± .015
 3 PLC. DEC. ± .005
 ANGULAR ± 30"

SCALE: 1 = 2
 DATE: 3-2004
 BY: TMI