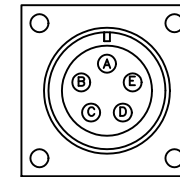


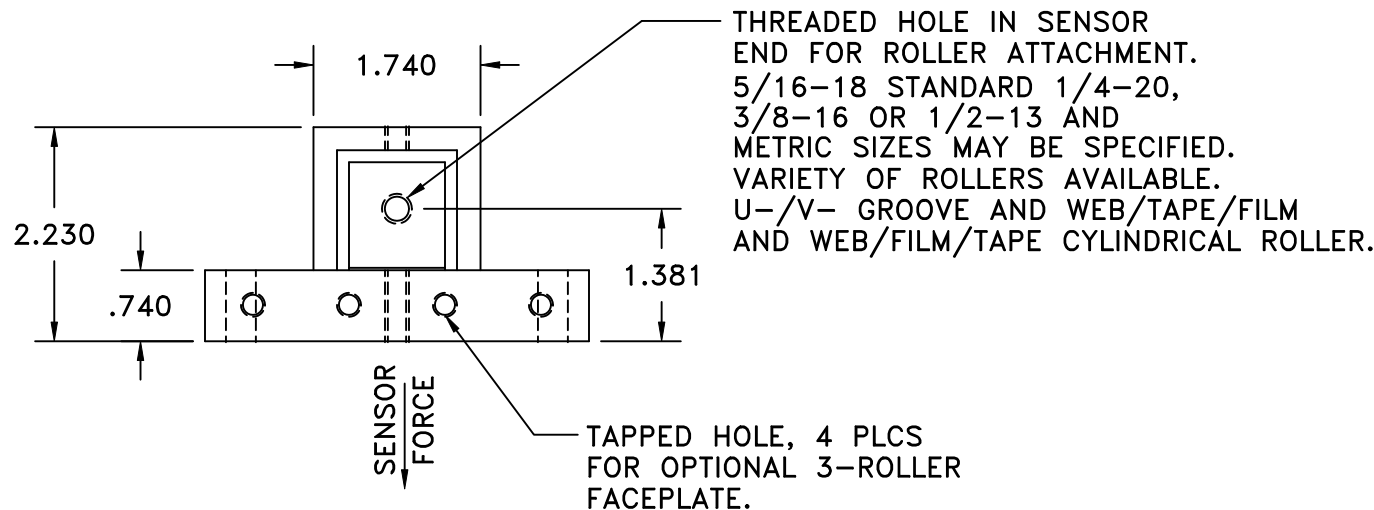
MS3102A14S-5
CONNECTOR



WIRING CODE

CONNECTOR PIN	WIRE COLOR	FUNCTION
A	GREEN	EXCITATION +
B	WHITE	SIGNAL +
C	BLACK	EXCITATION -
D	RED	SIGNAL -
E	* SHIELD	GROUND

* SHIELD FLOATING AT SENSOR



MATING CONNECTOR AND 10 FT. OF 4-COND. AWG 20 WITH OVERALL SHIELD AND JACKET INCLUDED.

**TENSION RANGES TO 100 LBS
WRAP ANGLE DEPENDENT**

TMI Tension Measurement, Inc

Colorado, USA • Tension-Measurement.com
TEL (303) 465-1011 • FAX (303) 466-9761

**MPHB SERIES
BASE MOUNT TENSION SENSOR**

PART NO:
MPHB-SERIES

MATERIAL:
ALUMINUM

TOLERANCES UNLESS OTHERWISE SPECIFIED:
U.S.O.
1 PLC. DEC. ±.030
2 PLC. DEC. ±.015
3 PLC. DEC. ±.005
ANGULAR ± 30"

SCALE: 1 = 2

DATE: 5-2002

BY: TMI