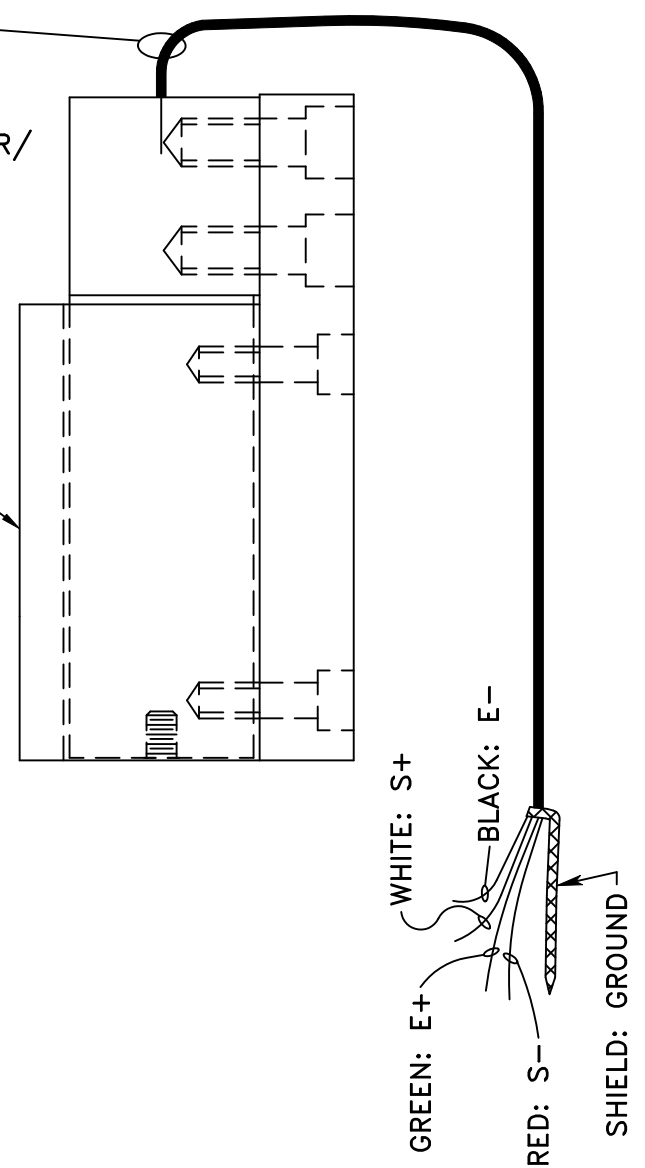


10FT. 4 COND.  
30 AWG SHIELDED  
PTFE INSULATED  
CABLE TO INTERFACE  
WITH SIGNAL CONDITIONER/  
INDICATOR

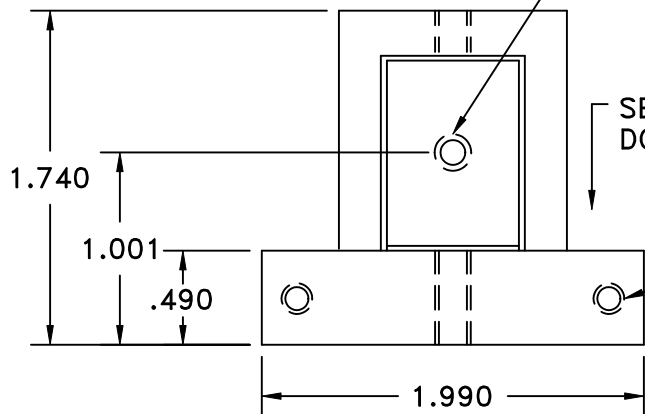
SLOTTED MOUNTING  
HOLES FOR 1/4"  
OR 6MM BOLTS

SENSOR COVER  
PROVIDES  
OVERLOAD  
PROTECTION



THREADED HOLE IN SENSOR  
END FOR ROLLER ATTACHMENT.  
VARIETY OF ROLLERS  
AVAILABLE. U-/V- GROOVE  
AND WEB/FILM/TAPE  
CYLINDRICAL..

SENSOR DIRECTION OF FORCE  
DOWN TOWARD BASE AS SHOWN.



TAPPED HOLE, 2 PLCS  
FOR OPTIONAL 3-ROLLER  
FACEPLATE.

**TENSION RANGES TO 5000 GRAMS  
WRAP ANGLE DEPENDENT**

**TMI** Tension Measurement, inc

Colorado, USA • Tension-Measurement.com  
TEL (303) 465-1011 • FAX (303) 466-9761

**MPB SERIES TENSION SENSOR**

PART NO:  
MPB-SERIES

MATERIAL: BLACK HARD  
ANODIZED ALUMINUM

TOLERANCES UNLESS  
OTHERWISE SPECIFIED:  
U.S.O.  
1 PLC. DEC. ±.030  
2 PLC. DEC. ±.015  
3 PLC. DEC. ±.005  
ANGULAR ± 30"

SCALE: 1 = 1

DATE: 12-98

BY: TMI