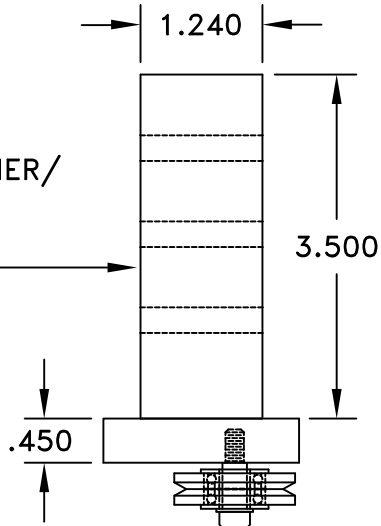


10FT. 4 COND.
30 AWG SHIELDED
PTFE INSULATED
CABLE TO INTERFACE
WITH SIGNAL CONDITIONER/
INDICATOR

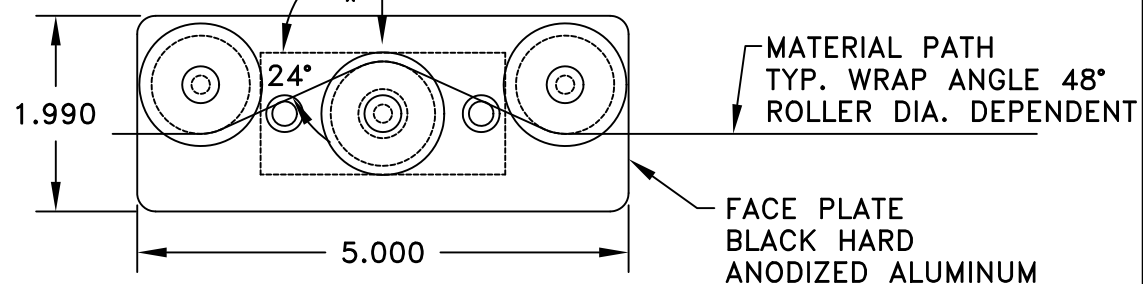
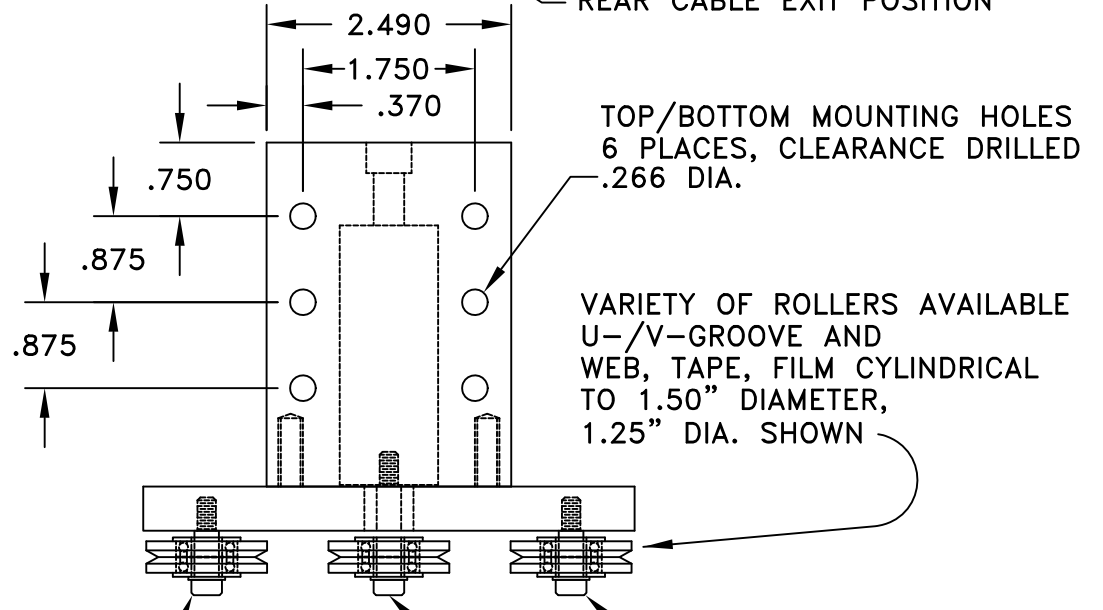
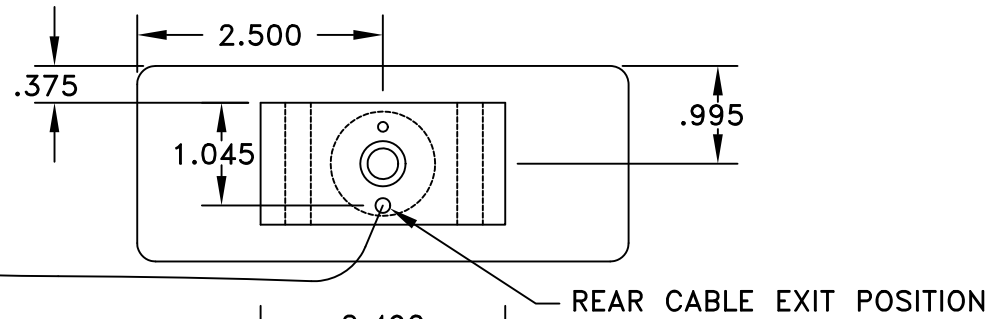
FTX SENSOR BODY
BLACK HARD
ANODIZED ALUMINUM



**** MOUNTING OPTIONS**

THE SENSOR MAY BE MOUNTED IN ANY POSITION OR ORIENTATION AS LONG AS THE FORCE DIRECTION AND WRAP ANGLE ARE AS SHOWN.

THE STANDARD DIRECTION OF FORCE IS CONFIGURED TO BE DOWN. TO CONFIGURE THE SENSOR SO THE MATERIAL PATH IS OVER THE GUIDE ROLLERS FLIP THE SENSOR OVER OR REMOVE THE FACE PLATE AND ROTATE 180° AND REATTACH. THIS WILL KEEP THE WRAP ANGLE AS SET BY THE FACTORY AND PREVENT OVERLOADING THE SENSOR.



TENSION CAPACITIES TO 25 LBS

TMI Tension Measurement, inc

Colorado, USA • Tension-Measurement.com

TEL. (303) 465-1011 • FAX (303) 466-9761

**FTX5 SERIES TENSION SENSOR
WITH 5" WIDE FACE PLATE**

PART NO:
FTX5-SERIES

MATERIAL:
ALUMINUM

TOLERANCES UNLESS
OTHERWISE SPECIFIED:
U.S.O.
1 PLC. DEC. ±.030
2 PLC. DEC. ± .015
3 PLC. DEC. ± .005
ANGULAR ± 30°

SCALE: 1 = 2

DATE: 7-04

BY: TMI