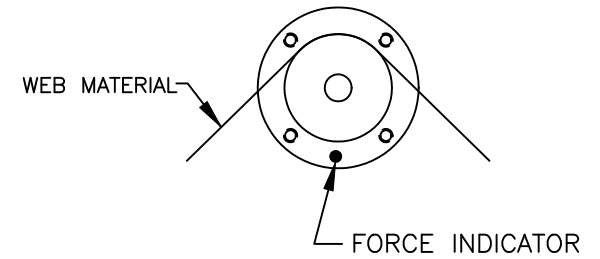
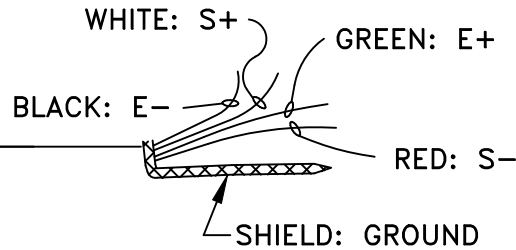
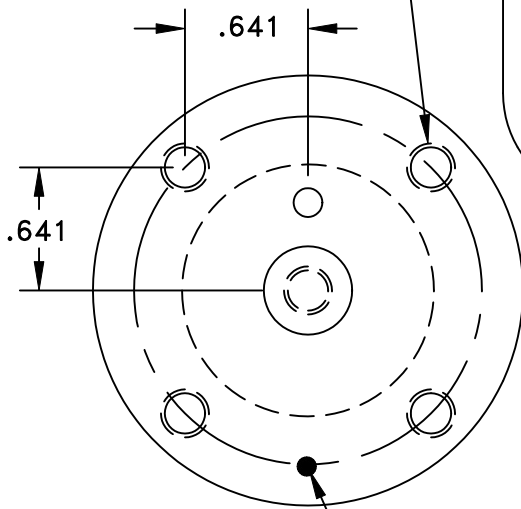


10 FT. 4-COND.
AWG 30 WITH
OVERALL SHIELD
& JACKET



1/4-20 TAPPED
MOUNTING HOLE
4 HOLES
EQUALLY SPACED
REFERENCED TO
FORCE INDICATOR

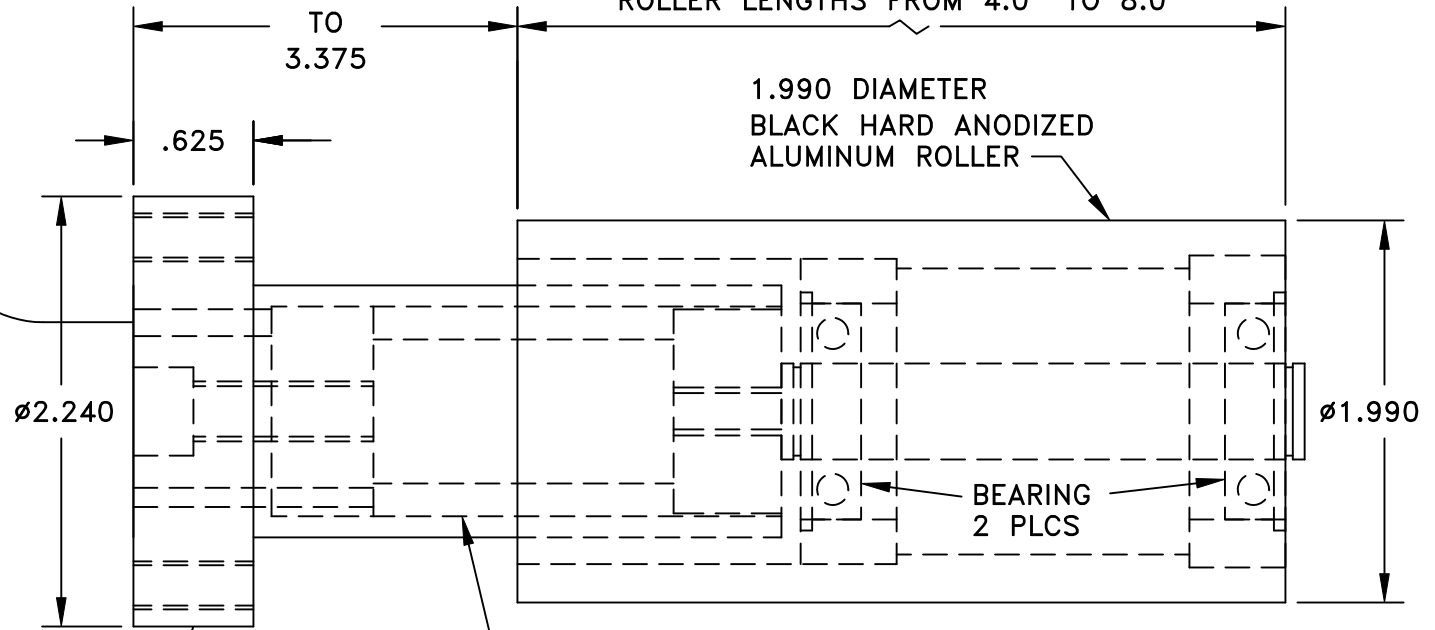


DIRECTION
OF FORCE
INDICATOR

ROLLER POSITION
VARIABLE FROM
2.000
TO
3.375

ROLLER LENGTHS FROM 4.0" TO 8.0"

1.990 DIAMETER
BLACK HARD ANODIZED
ALUMINUM ROLLER



STRAIN GAGED TENSION SENSOR
WITH 360° PROTECTIVE AND
LOAD LIMITING HOUSING

MOUNTING FLANGE

**FULL SCALE RANGES TO 25 LBS
WRAP ANGLE DEPENDENT**

TMI Tension Measurement, inc

P.O. BOX 740755 ARVADA, CO. 80006 USA
TEL. (303) 465-1011 • FAX (303) 466-9761

**CANTILEVER MOUNT
WEB TENSION SENSOR**

PART
NO: CFW2R-SERIES

MATERIAL:
ALUMINUM

TOLERANCES UNLESS
OTHERWISE SPECIFIED:
U.S.O.
1 PLC. DEC. ±.030
2 PLC. DEC. ±.015
3 PLC. DEC. ±.005
ANGULAR ± 30°

SCALE: 1 = 1

DATE: 10-03

BY: TMI