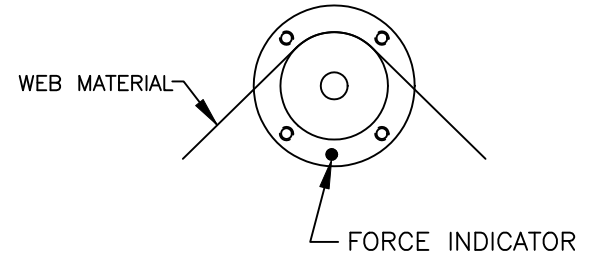
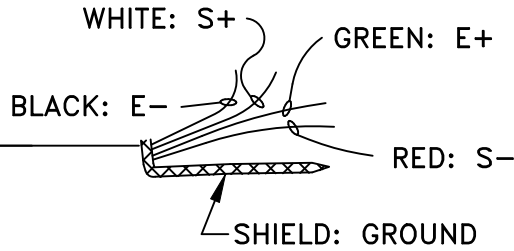
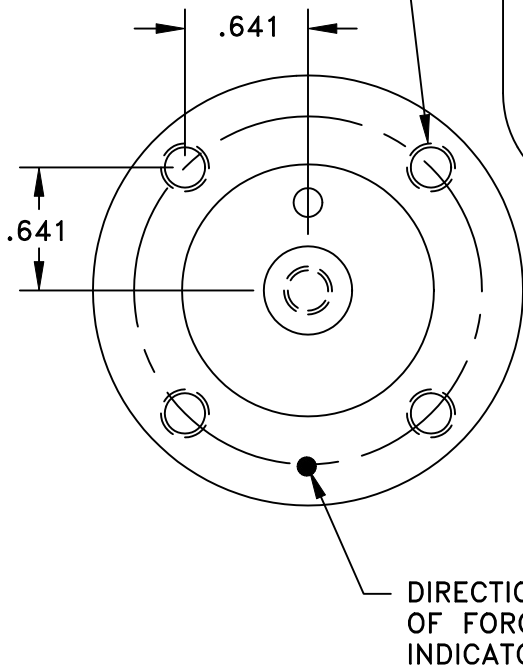


10 FT. 4-COND.  
AWG 30 WITH  
OVERALL SHIELD  
& JACKET

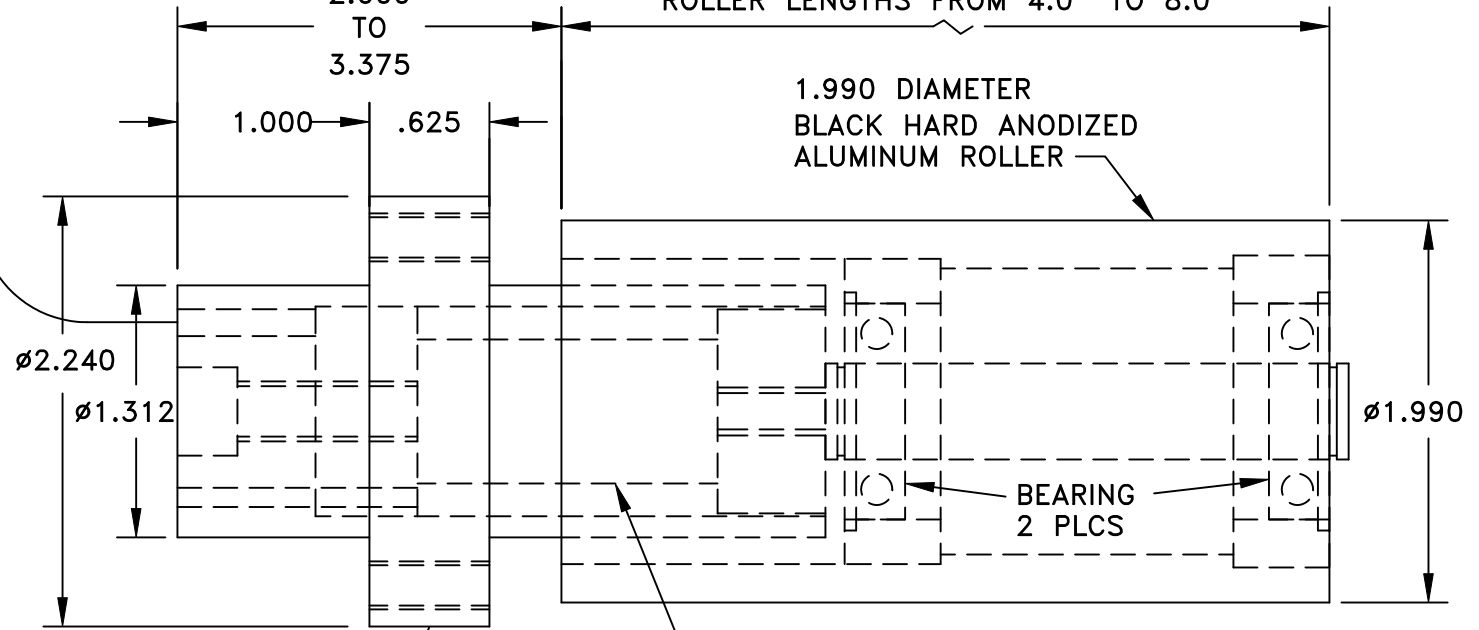


1/4-20 TAPPED  
MOUNTING HOLE  
4 HOLES  
EQUALLY SPACED  
REFERENCED TO  
FORCE INDICATOR



ROLLER POSITION  
VARIABLE FROM  
2.000  
TO  
3.375

ROLLER LENGTHS FROM 4.0" TO 8.0"



STRAIN GAGED TENSION SENSOR  
WITH 360° PROTECTIVE AND  
LOAD LIMITING HOUSING

**FULL SCALE RANGES TO 25 LBS  
WRAP ANGLE DEPENDENT**

**TMI Tension Measurement, inc**

P.O. BOX 740755 ARVADA, CO. 80006 USA  
TEL. (303) 465-1011 • FAX (303) 466-9761

**CANTILEVER MOUNT  
WEB TENSION SENSOR**

PART NO: CFW2M-SERIES

MATERIAL:  
ALUMINUM

TOLERANCES UNLESS OTHERWISE SPECIFIED:  
U.S.O.  
1 PLC. DEC. ±.030  
2 PLC. DEC. ±.015  
3 PLC. DEC. ±.005  
ANGULAR ± 30°

SCALE: 1 = 1

DATE: 10-03

BY: TMI