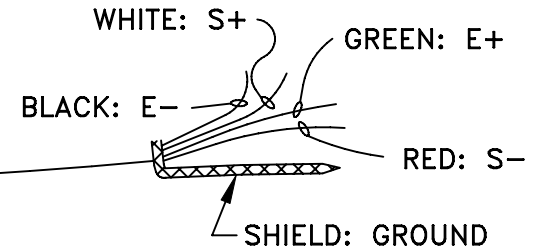
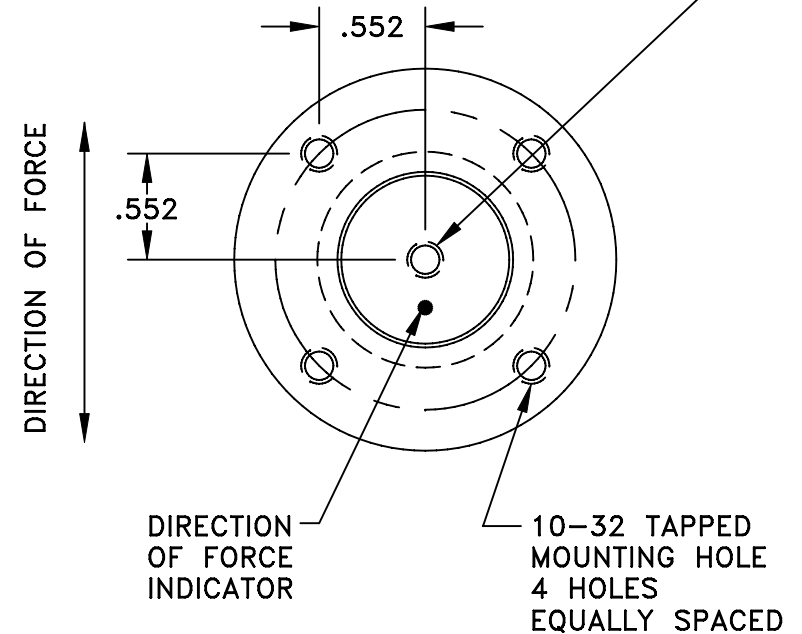
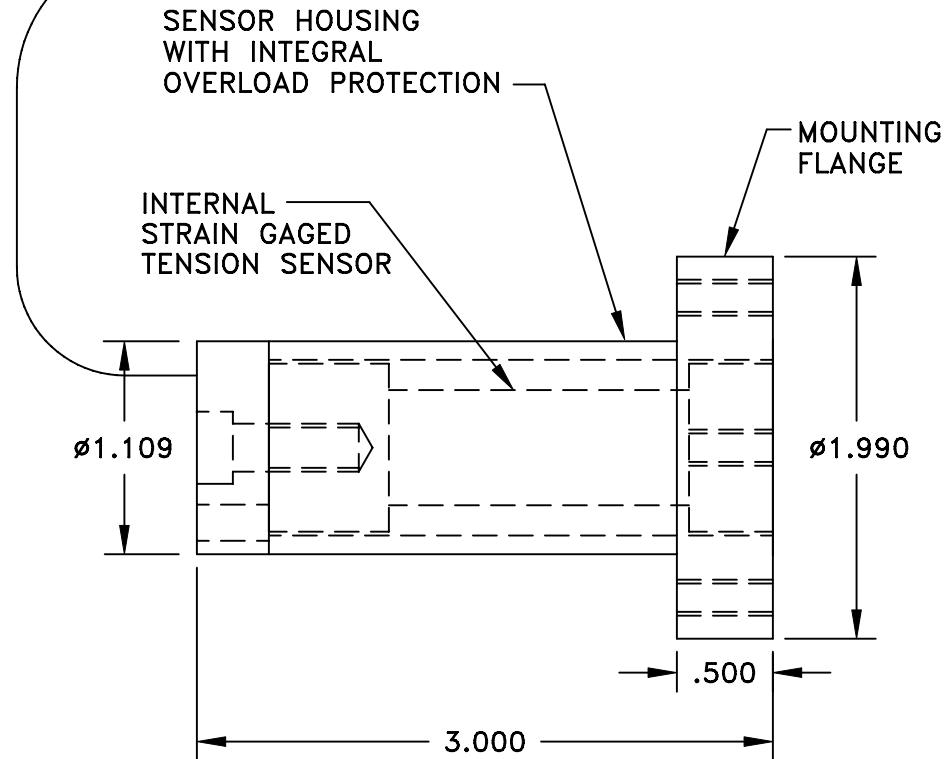


10 FT. 4-COND.
AWG 30 WITH
OVERALL SHIELD
& JACKET



TAPPED HOLE IN END OF THE
SENSOR FOR MOUNTING OF
PULLEY, ROLLER, SHEAVE, ETC.



NOTES:

- DESIGNED FOR EASY MOUNTING TO THE REAR OF A MACHINE FRAME OR BY INSERTING THROUGH A 1-1/8" DIA. HOLE IN YOUR MACHINE FRAME.

RANGES TO 6,000 GRAMS
WRAP ANGLE DEPENDENT

TMB Tension Measurement, inc

P.O. BOX 740755 ARVADA, CO. 80006 USA
TEL. (303) 465-1011 • FAX (303) 466-9761

**FRONT CANTILEVER FLANGE MOUNT
TENSION SENSOR**

PART NO: CFF SERIES

MATERIAL: ALUMINUM

TOLERANCES UNLESS OTHERWISE SPECIFIED:
U.S.O.
1 PLC. DEC. $\pm .030$
2 PLC. DEC. $\pm .015$
3 PLC. DEC. $\pm .005$
ANGULAR $\pm 30^\circ$

SCALE: 1 = 1

DATE: 4-00

BY: SP