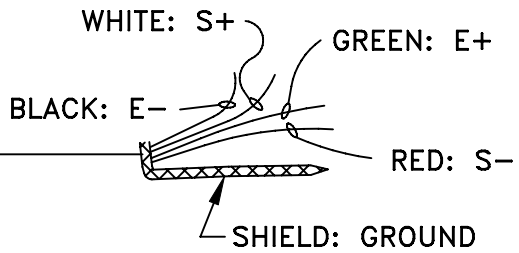
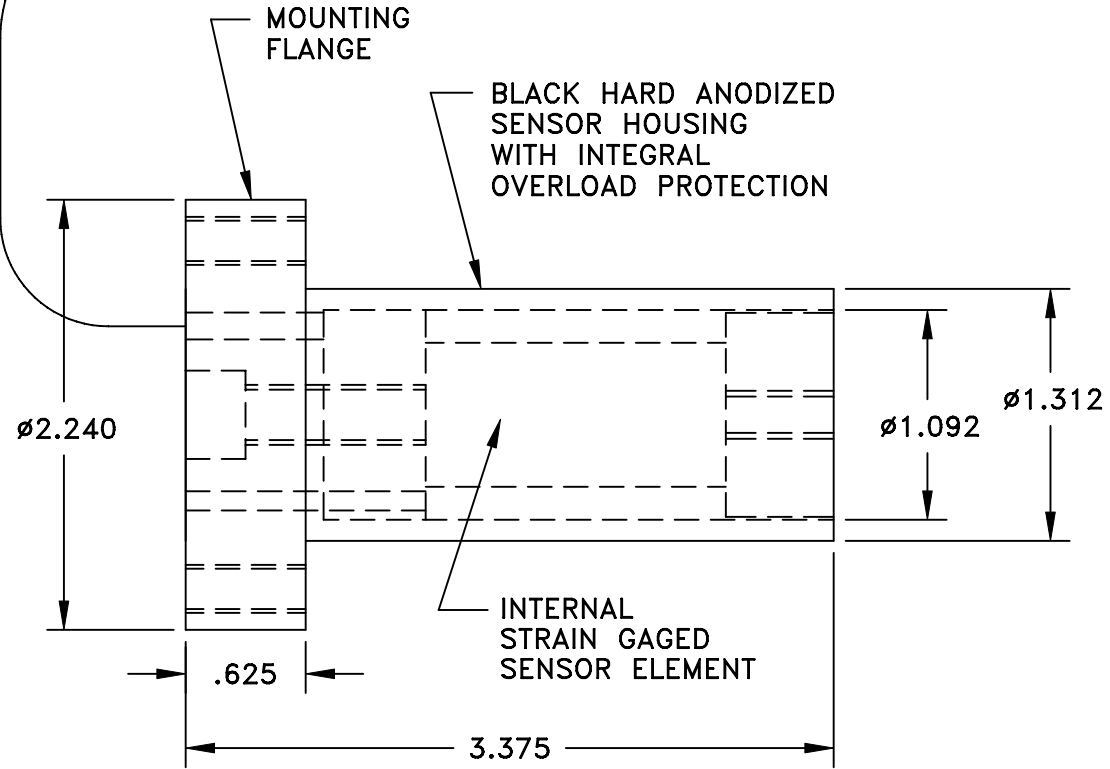


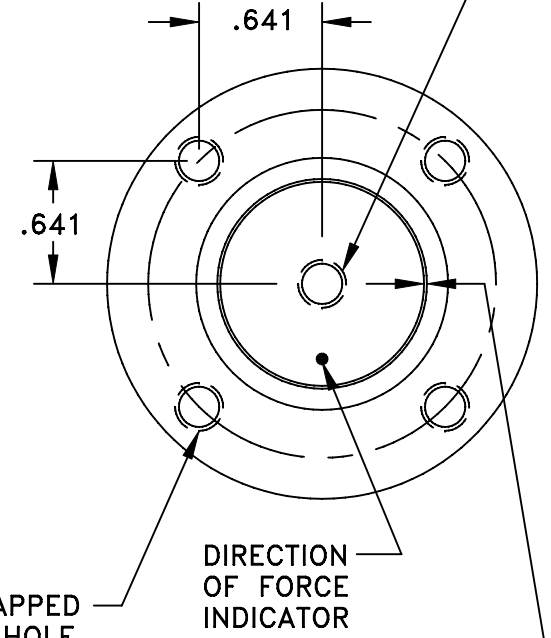
10 FT. 4-COND.
AWG 30 WITH
OVERALL SHIELD
& JACKET



TAPPED HOLE IN END OF THE
SENSOR FOR INSTALLATION OF
PULLEY, ROLLER, SHEAVE, ETC.
1/4-20 X .50DP STANDARD, OTHER
SIZES MAY BE SPECIFIED



DIRECTION OF FORCE



CLEARANCE BETWEEN
SENSOR ELEMENT AND
HOUSING MUST BE KEPT
FREE. SENSOR ELEMENT
MUST ONLY CONTACT THE
ROLLER MOUNTING HARDWARE.

NOTES:

- DESIGNED FOR EASY MOUNTING TO THE FRONT OF A MACHINE FRAME OR BY INSERTING THROUGH A 1-3/8" DIA. HOLE IN YOUR MACHINE FRAME.

**RANGES AVAILABLE: 0-12 LBS TO 0-25 LBS
WRAP ANGLE DEPENDENT**

TMI *Tension Measurement, inc*
P.O. BOX 740755 ARVADA, CO. 80006 USA
TEL. (303) 465-1011 • FAX (303) 466-9761

**REAR FLANGE CANTILEVER MOUNT
TENSION SENSOR**

PART NO: CF2R SERIES

MATERIAL: ALUMINUM

TOLERANCES UNLESS OTHERWISE SPECIFIED:
U.S.O.

1 PLC. DEC. ±.030
2 PLC. DEC. ±.015
3 PLC. DEC. ±.005
ANGULAR ± 30"

SCALE: 1 = 1
DATE: 9-04
BY: TMI